



# 5020 Modbus Translator for the Siemens Digital Level Sensor

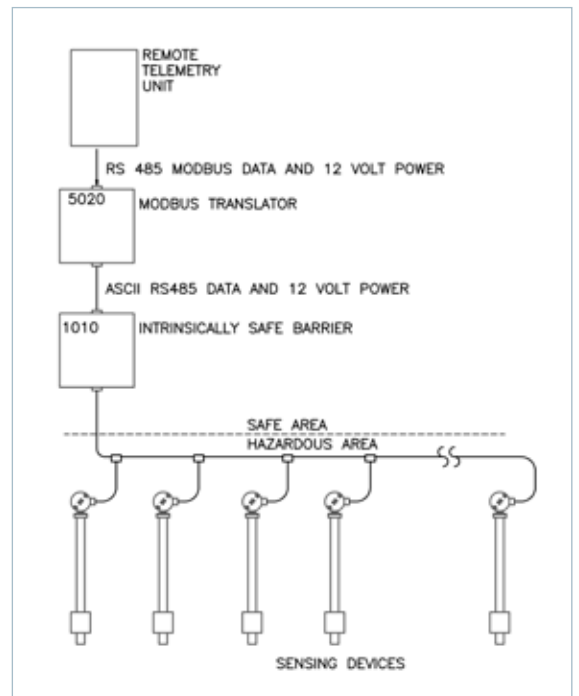
## Providing Modbus protocol in 16- or 32-bit format

The 5020 Modbus translator converts ASCII protocol from the Siemens digital level sensor (DLS) to Modbus RTU protocol. The translator is wired in between the SCADA unit and the sensors. Features include:

- Self-configuring
- 9600 N 81 baud rate
- Handles up to 16 sensors
- 16-bit unsigned integer or 32-bit floating point format.

### Electrical specifications

- **Power requirements:**  
17VDC maximum, 9VDC minimum (sensors require 8 volts minimum at the sensor)
- **Power consumption:**  
18mA in idle mode (LED green), 30mA maximum (LED orange)
- **Power limit:**  
1 Ampere maximum (controlled by a resettable fuse)
- **Operating temperature range:**  
-40 °C to 60 °C.



For more information about this and other digital level sensor products and applications, contact us at 1 (888) 856-4528 or [oilandgaslcm.energy@siemens.com](mailto:oilandgaslcm.energy@siemens.com).

Published by and copyright © 2010:

Siemens AG  
Energy Sector  
Freyeslebenstrasse 1  
91058 Erlangen, Germany

Siemens Energy, Inc.  
Oil & Gas Division  
10730 Telge Road  
Houston, TX 77095 USA  
Phone: 1 (888) 856-4528

[www.siemens.com/energy/oilandgas](http://www.siemens.com/energy/oilandgas)

Order No. E50001-D440-A144-X-76US  
Printed in USA  
BU 1501F IN 0810.25

All rights reserved.  
Subject to change without prior notice.

Trademarks mentioned in this document are the property of Siemens AG, its affiliates, or their respective owners.

The information in this document contains general descriptions of the technical options available, which may not apply in all cases. The required technical options should therefore be specified in the contract.